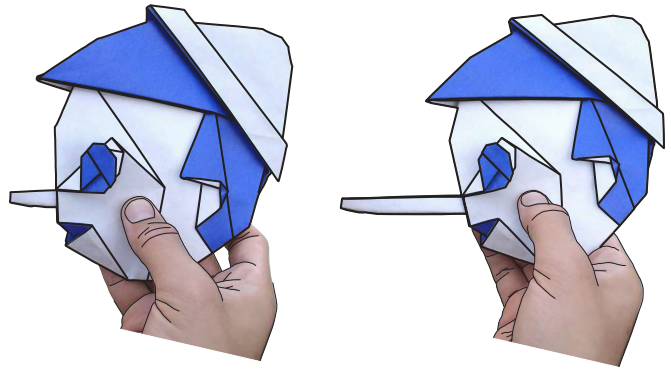


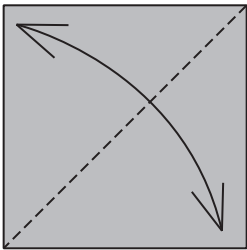
Pinocchio

By Jeremy Shafer ©2003

With fully operational nose and mouth this Pinocchio model is ready to try out for any origami remake of the Disney classic.

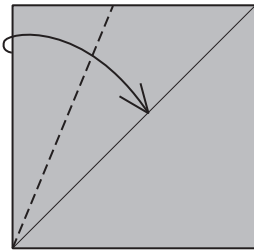


1



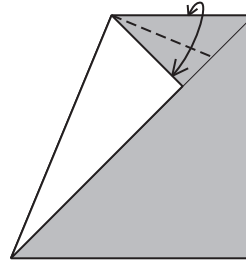
Colored side up, valley-fold and unfold.

2



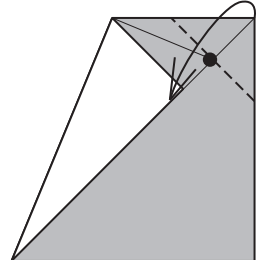
Valley-fold.

3



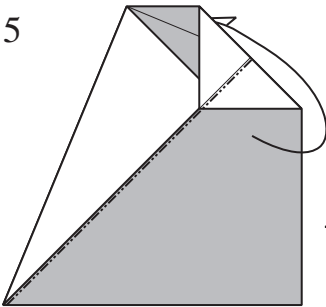
Make the indicated valley crease.

4



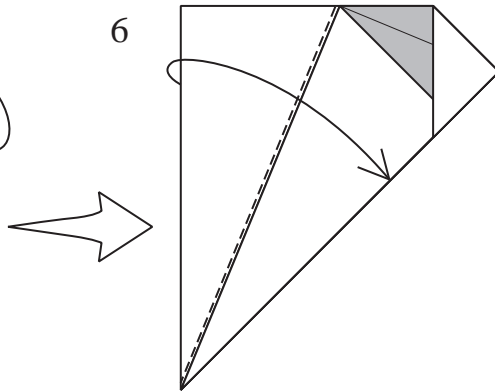
Valley-fold on the black dot.

5



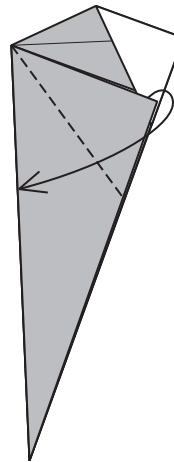
Mountain-fold.

6



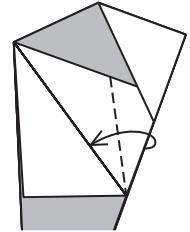
Valley-fold.

7



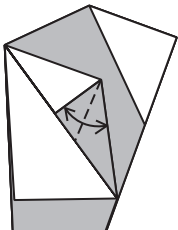
Valley-fold one flap.

8



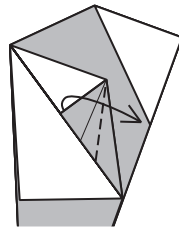
Valley-fold one flap.

9



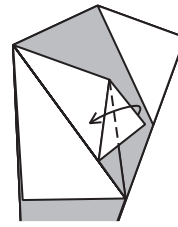
Valley-fold and unfold.

10



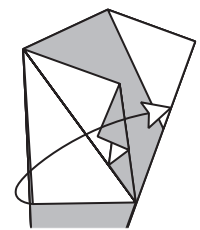
Valley-fold.

11

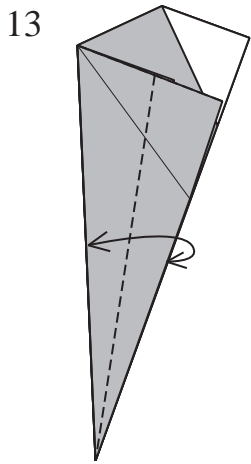


Valley-fold.

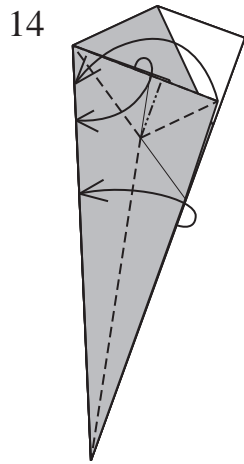
12



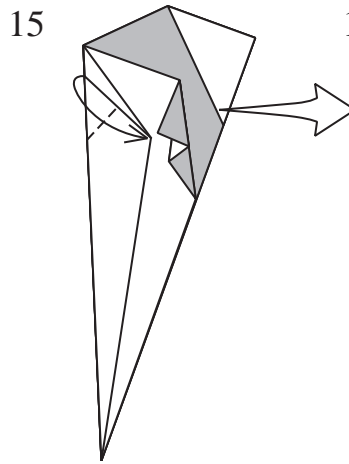
Unfold the flap.



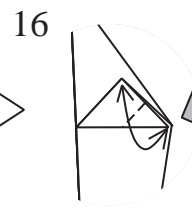
Valley-fold and unfold the front flap.



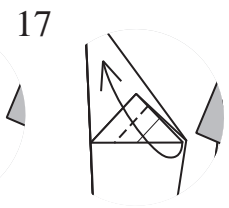
Rabbit-ear the front flap.



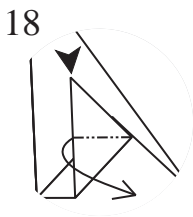
Valley-fold.



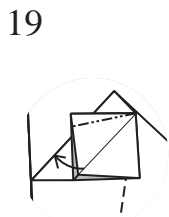
Valley-fold and unfold.



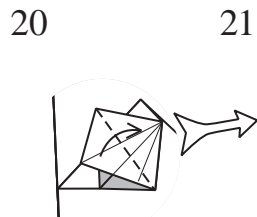
Valley-fold.



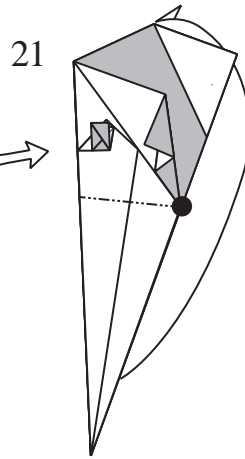
Squash.



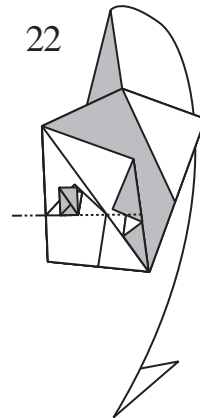
Rotate the front square clockwise and flatten.



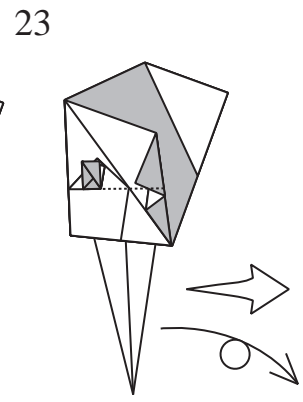
Valley-fold.



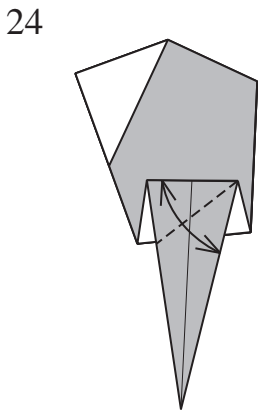
The eye is all squared away. Mountain-fold the bottom point behind on the black dot.



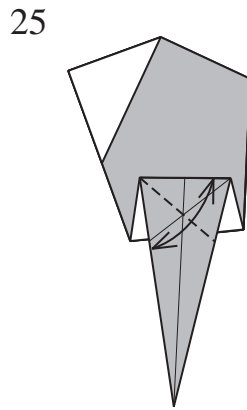
Valley-fold lining up with the bottom of the eye.



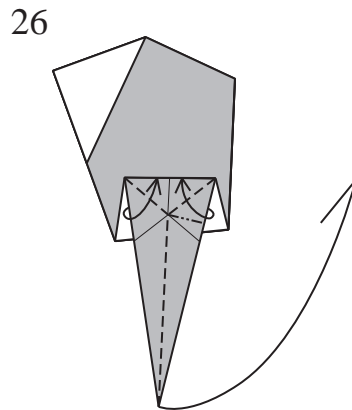
Turn over.



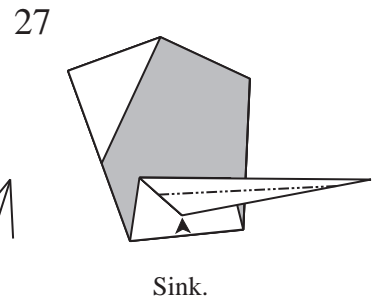
Valley-fold and unfold.



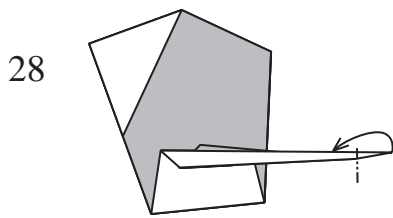
Valley-fold and unfold.



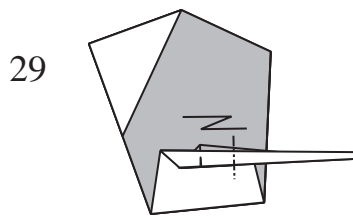
Rabbit-ear.



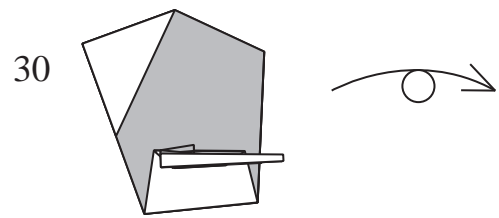
Sink.



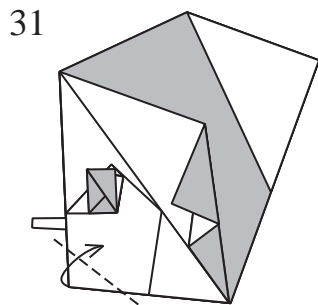
Reverse-fold the tip.



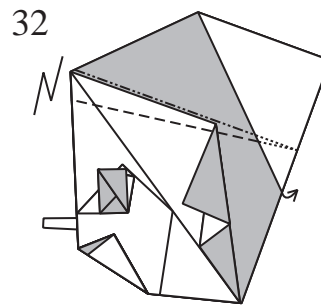
Pleat to make the nose a respectable length.



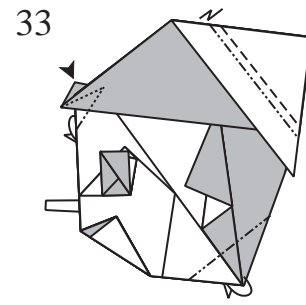
Turn over.



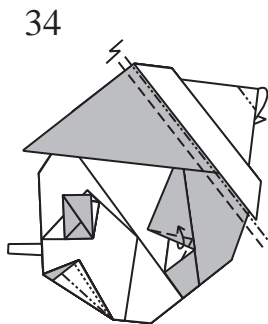
Valley-fold the mouth to taste.



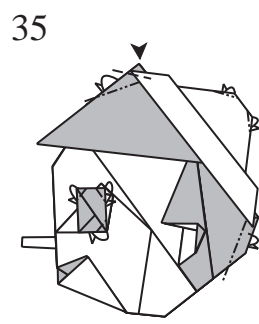
Pleat to define the hairline. The pleat goes underneath the white triangle.



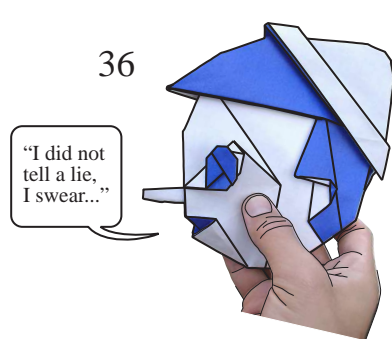
Squash to shape the forehead. Pleat the white triangle to form the hat. Mountain-fold the bottom corner of the head.



Mountain-fold the tip of the hat. Pleat below the base of the hat. Squash to shape the ear. Slide the single layer below the mouth downward.

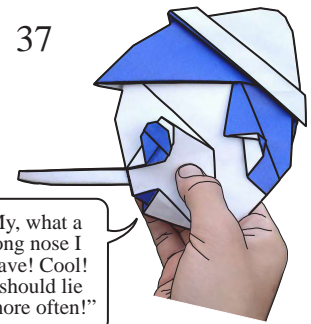


Make the indicated mountain folds to shape the hair, hat and eye.

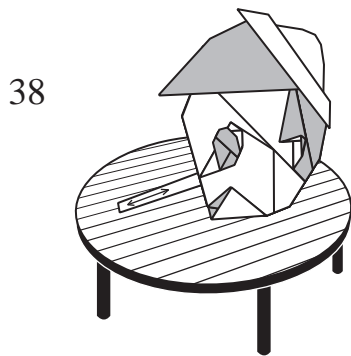


"I did not tell a lie, I swear..."

Pinocchio is crafted and ready to fib. Holding from behind as shown, extend the nose using four fingers.



My, what a long nose I have! Cool! I should lie more often!"



You can also get the growing/shrinking nose effect without even touching the model. Simply balance the model upright on a table by using the nose as a stand. Then close one eye and move left and right, to see the nose grow and shrink.



Here are the photos I took off the web for reference while designing this model. In addition to using the web as a visual aide in designing models, I also recommend surfing the web to get new ideas for what origami models to design. Clipart sites are a good place to start searching.