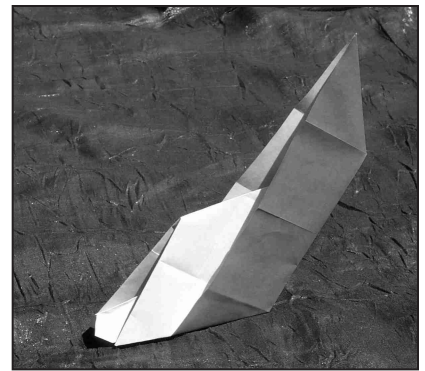


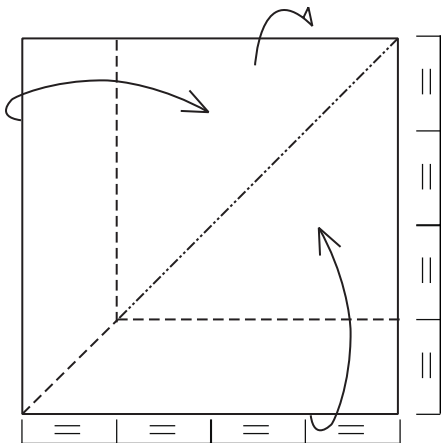
BARCO HUNDIÉNDOSE (SINKING SHIP)

José Tomas Buitrago © 2001

A 16 cm. square will make a model 16 cm. long.

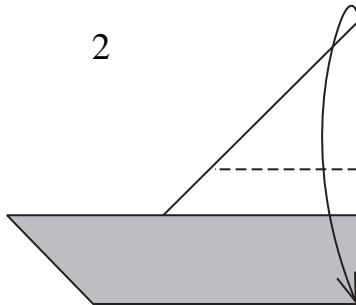


1

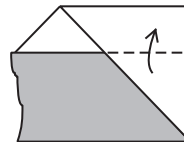


White side up, make a 4 by 4 grid of valley creases, by folding the paper in half and then in fourths. Mountain fold the diagonal. Make the indicated creases following the arrows.

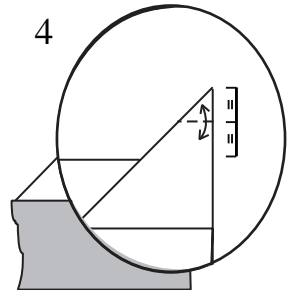
2



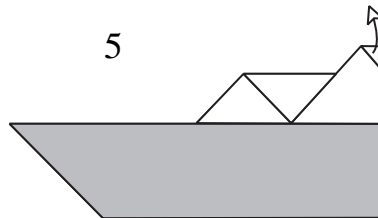
3



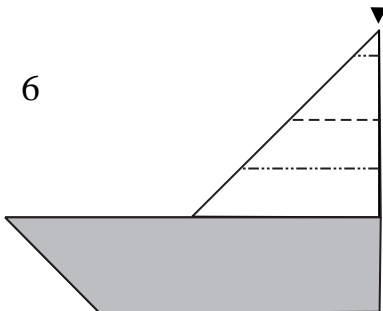
4



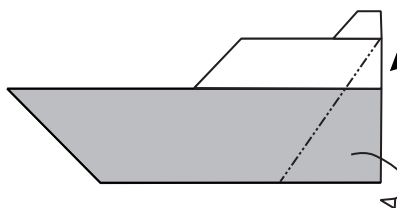
5



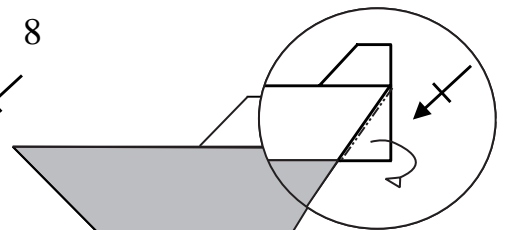
6



7

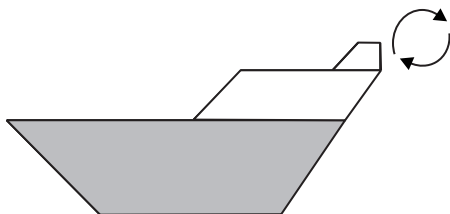


8

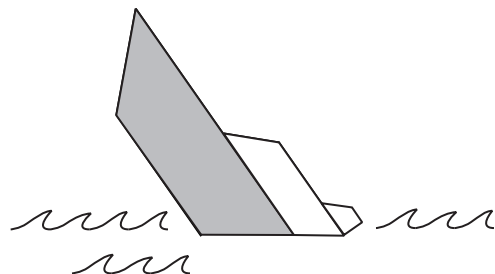


Pleat sink along existing creases.

9



10



The ship is sinking. If you put it in water it will really sink!